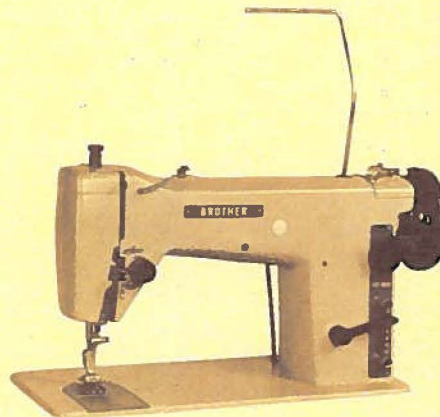
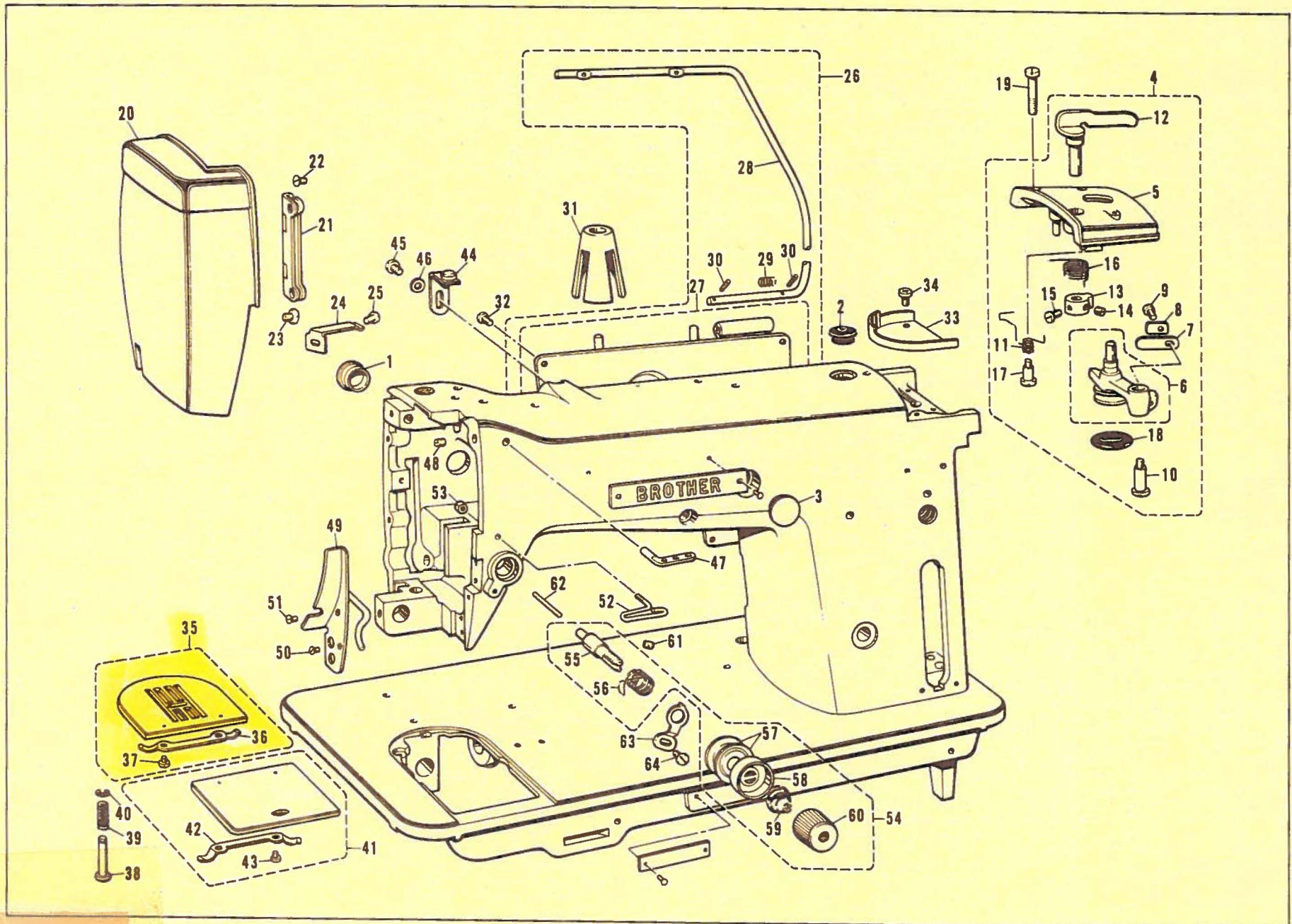


TZ1-B652

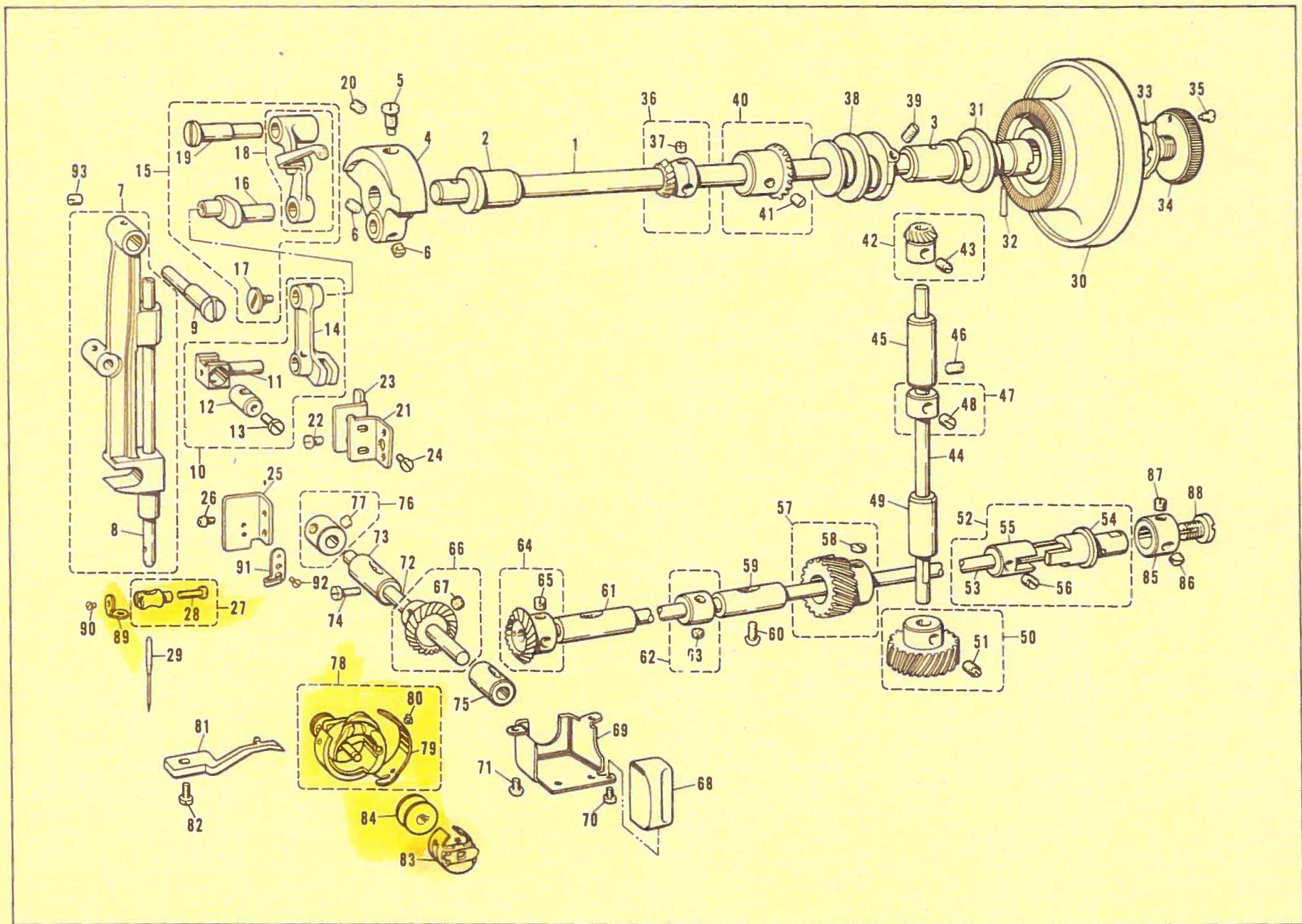


Please clarify Ref. No. and
Parts No. as well as parts name
When you place an order.



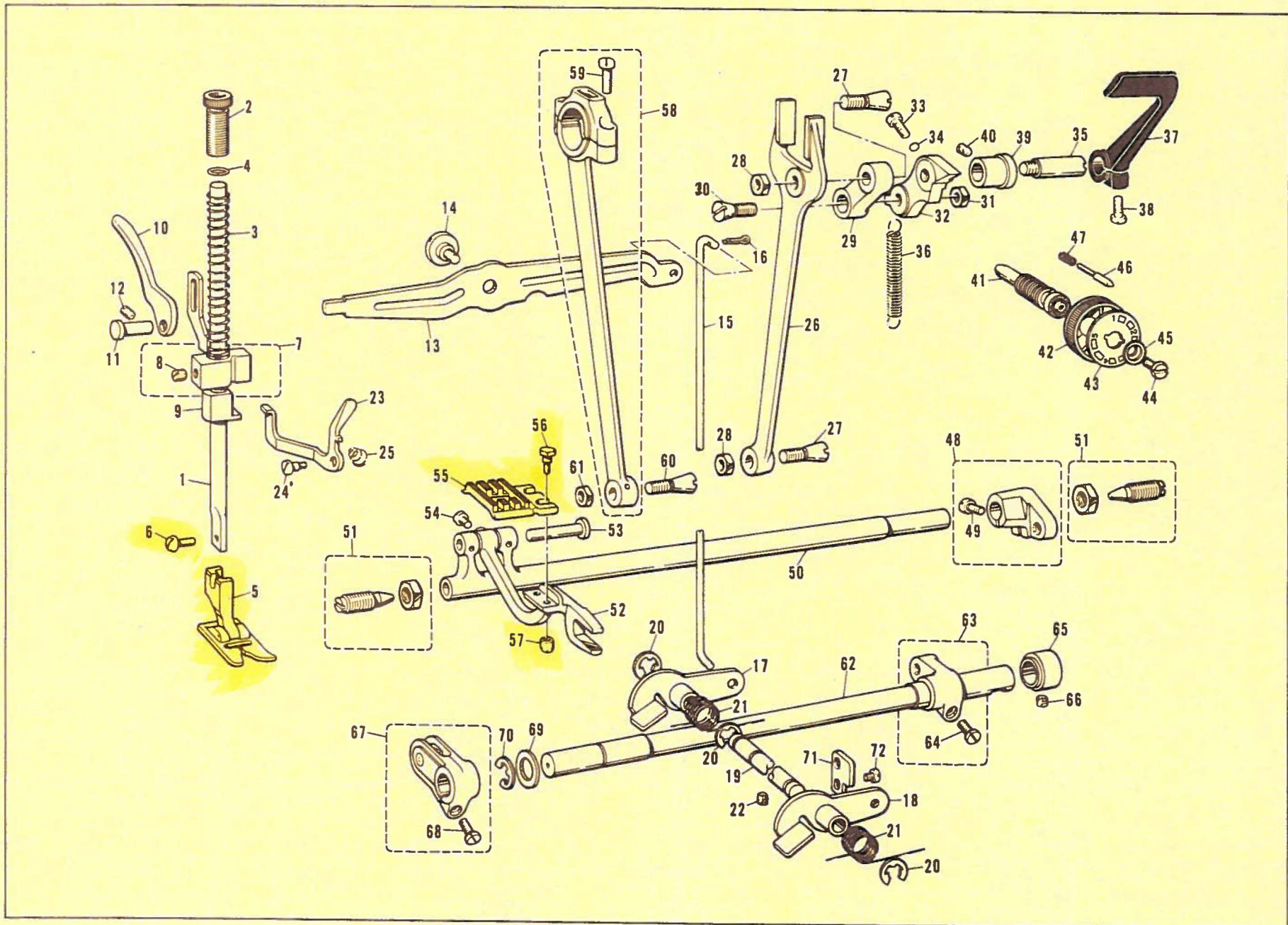
From the library of: Superior Sewing Machine & Supply LLC

Ref. No.	Name of Parts	Part No.	Ref. No.	Name of Parts	Part No.
1	Cap	115280-0-01	49	Thread guide plate	129954-0-01
2	Cap	111937-0-01	50	Set screw	108960-0-04
3	Cap	115280-0-01	51	Set screw	100191-0-03
4	Bobbin winder cover assembly	111939-0-02	52	Tension thread guide	130029-0-01
5	Bobbin winder cover	111940-0-02	53	Nut 3.18	021660-1-03
6	Bobbin winder arm	142084-0-01	54	Thread tension assembly	181271-0-01
7	Elastic plate	122811-0-01	55	Tension stud	100398-0-01
8	Spring	122812-0-01	56	Thread take-up spring	100399-0-01
9	Stud screw 3.18	100080-0-03	57	Tension disc	145466-0-01
10	Stud screw 4.76	104212-0-02	58	Tension disc washer	109512-0-01
11	Spring	142780-0-01	59	Tension spring	100401-0-01
12	Bobbin holder	111948-0-01	60	Tension control Nut	142495-0-01
13	Claw for bobbin winder	142566-0-01	61	Set screw 4.37	151167-0-01
14	Screw 4.37	151601-0-01	62	Tension release pin	100537-0-00
15	Screw 4.37×7	002680-7-12	63	Tension adjusting plate	129510-0-01
16	Spring	142567-0-01	64	Set screw 3.57×5	009670-0-14
17	Stud screw 3.57	103317-0-01			
18	Rubber ring	120448-0-01			
19	Set screw 4.37	104215-0-01			
20	Face plate	111951-0-02			
21	Face plate hinge assembly	111952-0-01			
22	Set screw 3.57	108960-0-01			
23	Set screw 3.57×5	000670-5-02			
24	Stop spring	111950-0-01			
25	Set screw 3.57×5	000670-5-02			
26	Rear cover assembly	129951-0-01			
27	Rear cover spool pin assembly	182700-0-01			
28	Spool pin	129950-0-01			
29	Spring	124350-0-01			
30	Spring pin	047160-8-40			
31	Spool cushion	126863-0-00			
32	Screw 3.57×6	002670-6-12			
33	Bobbin winder lower plate	142791-0-01			
34	Set screw 3.57×5	000670-5-02			
35	Needle plate(12mm)	180989-0-01			
36	Needle plate spring	111989-0-01			
37	Set screw 2.38	100035-0-01			
38	Needle plate lifting shaft	111990-0-01			
39	Spring	111991-0-01			
40	Stop ring	048030-3-42			
41	Slide plate assemblt	180993-0-01			
42	Slide plate spring	111989-0-01			
43	Set screw 2.38	100035-0-01			
44	Thread guide assembly	129423-0-01			
45	Screw 3.57×6	009670-6-14			
46	Washer	025350-1-37			
47	Thread retainer	114931-0-02			
48	Set screw 4.37	151602-0-01			

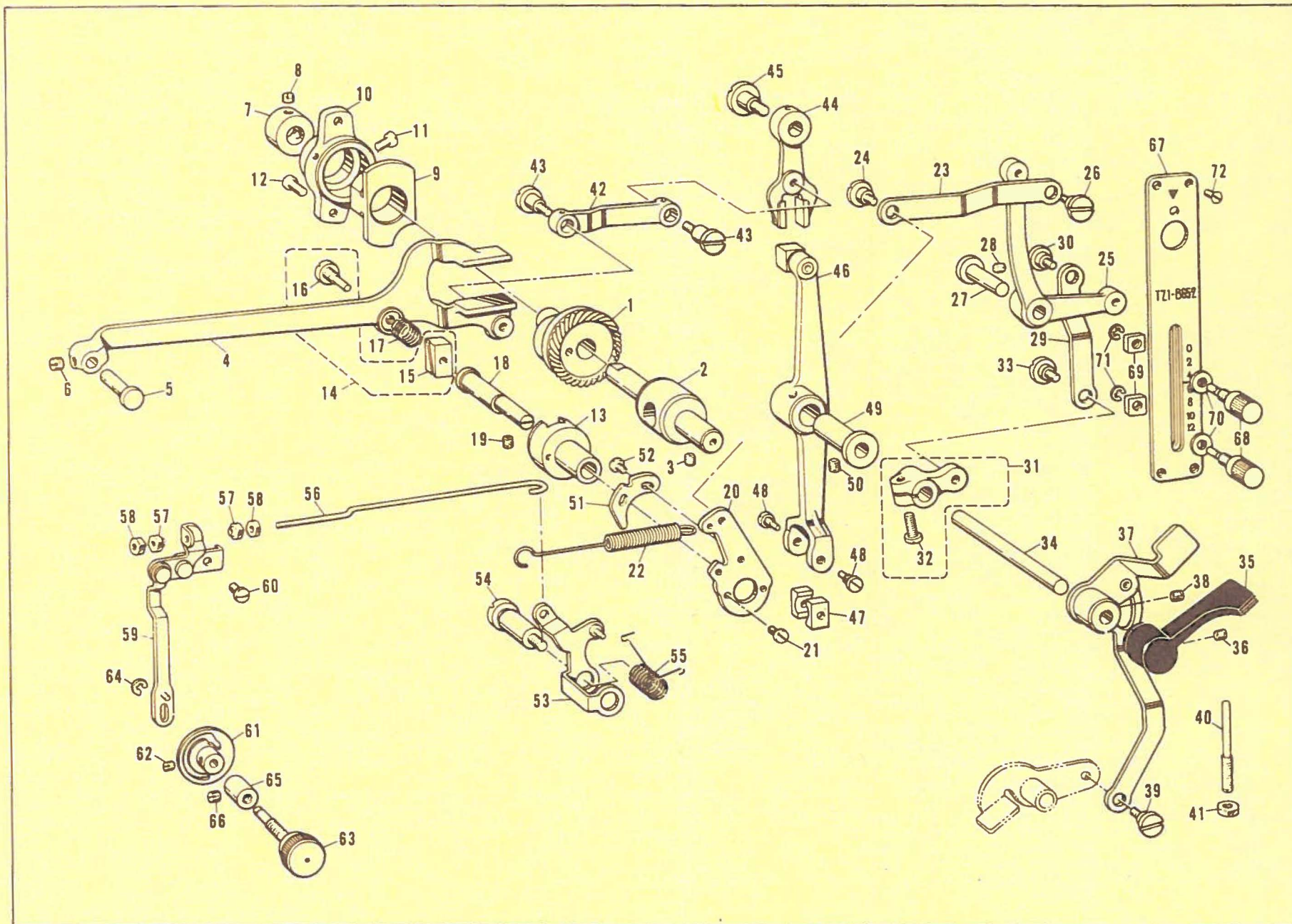


From the library of: Superior Sewing Machine & Supply LLC

Ref. No.	Name of Parts	Part No.	Ref. No.	Name of Parts	Part No.
1	Upper shaft	111967-0-01	49	Vertical shaft lower bushing	124923-0-00
2	Upper shaft bushing left	143439-0-00	50	Vertical shaft driving gear	180904-0-01
3	Upper shaft bushing right	143438-0-00	51	Set screw 6.35	100251-0-01
4	Counter weight	111970-0-00	52	Lower shaft joint assembly	112025-0-01
5	Set screw 7.14	104460-0-00	53	Lower shaft	112026-0-01
6	Set screw 6.35	100251-0-01	54	Lower shaft joint right	112027-0-01
7	Needle bar assembly	111973-0-01	55	Lower shaft joint left	112030-0-01
8	Needle bar	113913-0-01	56	Set screw 6.35	101706-0-03
9	Eccentric shaft	112060-0-01	57	Lower shaft driving gear	180905-0-01
10	Needle bar crank assembly	180812-0-01	58	Set screw 6.35	105299-0-03
11	Needle bar connecting stud	144421-0-01	59	Lower shaft bushing right	112032-0-01
12	Needle bar clamp	120109-0-01	60	Set screw 4.37×12	002681-2-12
13	Ciamp screw 4.37×5	100366-0-02	61	Lower shaft bushing left	112033-0-00
14	Needle bar crank rod	111978-0-00	62	Lower shaft set collar	118299-0-01
15	Thread take-up crank assembly	180996-0-01	63	Set screw 6.35	101706-0-03
16	Needle bar crank	113413-0-01	64	Lower shaft gear	180906-0-01
17	Cap screw 3.57	145465-0-01	65	Set screw 6.35	100251-0-01
18	Thread take-up lever	182731-0-01	66	Hook driving shaft gear	180902-0-01
19	Stud for thread take-up supporter	104376-0-01	67	Set screw 6.35	100251-0-01
20	Stop screw 5.95	151605-0-01	68	Lower shaft gear cover	112036-0-01
21	Support plate	111980-0-01	69	Hook shaft gear cover	112037-0-01
22	Set screw 3.57×8	009670-8-13	70	Set screw 3.18×3.5	002669-3-02
23	Guide plate	111981-0-01	71	Set screw 3.57×6	002670-6-12
24	Set screw 3.57×6	009670-6-13	72	Hook driving shaft	112038-0-01
25	Guide plate	111985-0-01	73	Hook driving shaft bushing(rear)	112039-0-01
26	Set screw 3.57×8	002670-8-12	74	Set screw 4.37×12	009681-2-12
27	Needle clamp assembly	180988-0-01	75	Hook driving shaft bushing(front)	112040-0-00
28	Needle clamp screw 3.18	113912-0-01	76	Hook driving shaft collar	118299-0-01
29	Needle DB×1#14	125864-0-14	77	Set screw 6.35	101706-0-03
30	Pulley	111993-0-02	78	Rotary hook assembly	112041-0-01
31	Arm pully bushing	100039-0-00	79	Rotary hook top spring	129870-0-01
32	Taper pin	100040-0-00	80	Set screw 2.38	129871-0-01
33	Washer for stop motion	100041-0-02	81	Bobbin case	112043-0-01
34	Stop motion knurled hand screw	100042-0-02	82	Set screw 4.37×10	009681-0-12
35	Stop screw	100043-0-43	83	Bobbin case	117596-0-01
36	Zigzag gear for upper shaft	180903-0-01	84	Bobbin	100376-0-01
37	Set screw 6.35	100251-0-01	85	Set collar	112054-0-01
38	Feed cam	142789-0-00	86	Set screw	101706-0-01
39	Set screw 5.95	151605-0-01	87	Set screw 6.35	105299-0-03
40	Upper shaft gear	180881-0-01	88	Cap screw	113917-0-01
41	Set screw 6.35	100251-0-01	89	Needle bar thread guide	113911-0-01
42	Vertical shaft upper gear	180883-0-01	90	Set screw 2.38	100360-0-01
43	Set screw	100251-0-01	91	Lower thread guide	112130-0-01
44	Vertical shaft	112023-0-01	92	Set screw 2.38	100191-0-03
45	Busing S	124922-0-00	93	Set screw 5.95	100289-0-03
46	Set screw	151604-0-01			
47	Vertical shaft set collar	118299-0-01			
48	Set screw 6.35	101706-0-03			



Ref. No.	Name of Parts	Part No.	Ref. No.	Name of Parts	Part No.
1	Presser bar	103013-0-00	49	Set screw 4.37×12	009681-2-12
2	Presser adjusting screw	100496-0-02	50	Feed rock shaft	112011-0-01
3	Presser spring	106794-0-01	51	Center point screw assembly	180987-0-01
4	Presser spring washer	141099-0-01	52	Feed bar	112012-0-01
5	Presser foot complete(12mm)	111994-0-01	53	Feed bar shaft	112013-0-01
6	Set screw 3.57×8	001670-8-14	54	Set screw 4.37×6	009680-6-12
7	Presser bar bracket	180990-0-01	55	Feed dog (12mm)	112014-0-01
8	Set screw 5.95	151604-0-01	56	Sqare screw 3.18	112015-0-01
9	Presser bar lifter bracket	111998-0-01	57	Nut 3.18	112016-0-01
10	Presser bar lifter	125165-0-01	58	Crank rod	180986-0-01
11	Pressr bar lifter shaft	124697-0-01	59	Set screw 4.76	107428-0-01
12	Set scerw 5.95	100289-0-03	60	Taper screw	100310-0-01
13	Knee lifter	124919-0-01	61	Nut 7.14	104689-0-01
14	Stud screw 6.35	142477-0-01	62	Feed lifting rock shaft	124924-0-00
15	Knee lifter connecting rod	124920-0-02	63	Feed lifting rock shaft arm	180994-0-01
16	Cotter pin	114909-0-00	64	Set screw 4.37×12	009681-2-12
17	Knee lifter crank lower	112004-0-01	65	Set collar right	112019-0-01
18	Zigzag crank lower	112005-0-05	66	Set screw 6.35	101706-0-01
19	Knee lifter crank shaft	112006-0-00	67	Feed lifting arm	112020-0-01
20	Stop ring E7	048070-3-42	68	Set screw 4.37×12	009681-2-12
21	Spring	112007-0-07	69	Washer	124925-0-01
22	Set screw 5.95	151604-0-01	70	Stop ring	048080-3-42
23	Tension release	112129-0-01	71	Stopper	113919-0-01
24	Stud screw 3.57	104648-0-01	72	Set screw 3.57×5	000670-5-02
25	Spring	100405-0-01			
26	Feed forked connector	112008-0-01			
27	Taper screw 7.14	100310-0-01			
28	Nut 7.14	104689-0-01			
29	Feed regulator link	100505-0-00			
30	Taper screw 7.14	100310-0-00			
31	Nut 7.14	1004689-0-0			
32	Feed regulator	112009-0-01			
33	Set screw 4.37×10	002681-0-12			
34	Pusher	100507-0-00			
35	Feed regulator shaft	114897-0-01			
36	Feed regucator tension spring	112010-0-01			
37	Direction control	142480-0-04			
38	Set screw 4.76	100320-0-03			
39	Eccentric bushing	113918-0-00			
40	Set screw 5.95	151604-0-01			
41	Length control screw	142752-0-01			
42	Length control	153168-0-01			
43	Length control plate	129457-0-01			
44	Set screw 4.76	142747-0-02			
45	Washer	142746-0-02			
46	Notch	100327-0-01			
47	Length spring	113956-0-01			
48	Feed rook shaft arm	118292-0-01			



From the library of: Superior Sewing Machine & Supply LLC

Ref. No.	Name of Parts	Part No.	Ref. No.	Name of Parts	Part No.
1	Zigzag cam shaft gear	112057-0-01	49	Stud link	112055-0-01
2	Zigzag cam shaft	112058-0-01	50	Set screw 5.95	151604-0-01
3	Set screw 5.95	151604-0-04	51	Fixed cam	112090-0-01
4	Zigzag forked connector	112059-0-01	52	Set screw 3.57×5	009670-0-12
5	Stud	111975-0-01	53	Fixed lever	112091-0-01
6	Set screw 6.35	101706-0-01	54	Stud screw 4.76	112092-0-01
7	Set collar	112061-0-01	55	Spring	112093-0-01
8	Set screw 4.37	151601-0-01	56	Connecting link	112094-0-01
9	Guide plate	112062-0-00	57	Nut 3.18	112095-0-01
10	Zigzag cam shaft receiver	112063-0-00	58	Nut 3.18	021660-1-03
11	Set screw 4.37×7	009680-7-13	59	Fixed link	112096-0-01
12	Set screw 4.37×10	002681-0-12	60	Set screw 3.57	112751-0-02
13	Zigzag regulator	112065-0-01	61	Fixed cam	112101-0-01
14	Slide block assembly	180992-0-01	62	Set screw 4.37	102716-0-03
15	Slide block	112066-0-01	63	Fixed knob	112102-0-01
16	Side block stud	112067-0-01	64	Stop ring E3	048030-3-42
17	Side block spring	113943-0-01	65	Bushing	112103-0-00
18	Eccentric shaft	113350-0-00	66	Set screw 5.95	100289-0-03
19	Set screw 5.95	131604-0-01	67	Zigzag control panel	130003-0-01
20	Lever	112069-0-01	68	Stopper screw	112083-0-01
21	Set screw 3.57×8	009670-8-13	69	Square nut 6.35	112084-0-01
22	Spring	112070-0-01	70	Washer	112085-0-00
23	Zigzag connecting link (A)	112071-0-01	71	Stop ring E3	048030-3-42
24	Stud screw 4.37	112072-0-01	72	Set screw 3.57	102538-0-07
25	Zigzag control lever	112073-0-01			
26	Stud screw 4.37	112072-0-01			
27	Stud	112074-0-01			
28	Set screw 5.95	100289-0-03			
29	Zigzag connecting link (B)	112075-0-01			
30	Stud screw 4.37	112072-0-01			
31	Zigzag control arm	180997-0-01			
32	Set screw 4.37×12	009681-2-12			
33	Stud screw 4.37	112072-0-01			
34	Zigzag control shaft	112077-0-01			
35	Zigzag width control lever	112078-0-02			
36	Set screw 5.95	100289-0-03			
37	Zigzag control lever arm	112086-0-01			
38	Set screw 6.35	100251-0-01			
39	Stud screw 4.37	112072-0-02			
40	Stopper screw	113920-0-01			
41	Nut 5.95	150553-0-03			
42	Hook shaft timing link	112046-0-00			
43	Stud screw 4.37	112047-0-01			
44	Hook shaft timing forked rod	112048-0-00			
45	Stud screw 5.95	113941-0-01			
46	Hook shaft timing lever	112050-0-01			
47	Slide block	112052-0-00			
48	Stud screw	112053-0-01			

MEMO